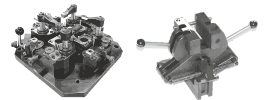




**Conveyor &
Automation**



Jigs & Fixtures



**Mechanical
Steel Structure**



**Paint Shop
Solutions**



**EV Products*
& Services**

SHINE ENGINEERS

Delivering innovative engineering solutions with precision, reliability, and advanced technical expertise. Serving leading automotive industries with automation, jigs & fixtures, mechanical structures, paint shop systems, and EV manufacturing support since 2006.

ABOUT SHINE ENGINEERS

Shine Engineers is a well-established engineering firm serving leading MNC automobile industries since 2006. With strong technical expertise and a commitment to quality, the company specializes in delivering reliable engineering solutions tailored to the evolving needs of modern manufacturing industries.

Our core capabilities include **engineering automation, precision jigs & fixtures, mechanical structure work, paint shop solutions, and EV manufacturing support**. Through continuous improvement, innovative engineering ideas, and advanced technical skills, we help industries enhance productivity, efficiency, and operational performance.

Headquartered in **Bhiwadi, Rajasthan**, Shine Engineers has built a strong presence across **Rajasthan and Gujarat**, while steadily expanding into new markets such as **Haryana and Maharashtra**. Our focus remains on delivering high-quality solutions, building long-term partnerships, and supporting sustainable industrial growth.



Our Mission

To deliver a global “wow factor” by combining deep automotive expertise, strategic supplier networks, and advanced technical capabilities to meet the evolving needs of our customers.



Our Vision

To bridge the world with technology by maintaining uncompromising quality standards and fostering a culture of continuous innovation and engineering excellence.

Shine Engineers follows internationally recognized quality and safety standards:



ISO 9001:2015
– Quality Management System

ISO 45001:2018
– Occupational Health & Safety Management



Jagdish Prasad
(Director)

At Shine Engineers, our journey has been driven by a commitment to quality, innovation, and customer satisfaction. Since our establishment, we have focused on delivering reliable engineering solutions to the automotive and industrial sectors through technical expertise and dedicated teamwork.

With our headquarters in Bhiwadi, Rajasthan, and a growing presence across Rajasthan and Gujarat, we continue to expand into new markets such as Haryana and Tamil Nadu, exploring emerging opportunities in the automotive industry.

Our strength lies in our skilled professionals, advanced engineering capabilities, and strong industry partnerships. We firmly believe that employee development, continuous improvement, and customer trust are the foundations of long-term success.

As we move forward, our vision remains clear — to provide innovative engineering solutions while maintaining the highest standards of quality, safety, and integrity.

OUR CORE VALUES

Quality

Delivering reliable engineering solutions with uncompromising quality standards.

Teamwork

Empowering our people through collaboration, training, and skill development.

Sustainability

Promoting responsible engineering practices for sustainable industrial growth.

Integrity

We conduct our business with honesty, transparency, and strong ethical principles.

Innovation

Continuously improving through new ideas, technology, and engineering excellence.

Customer Focus

Building long-term relationships by delivering value and dependable service.

OUR CORE SERVICES

Shine Engineers delivers specialized engineering solutions for modern automotive and industrial manufacturing. Our expertise includes automation systems, precision jigs & fixtures, mechanical structural fabrication, paint shop solutions, and EV infrastructure support, enabling efficient, reliable, and future-ready manufacturing environments.



Engineering Automation

Automation solutions designed to improve manufacturing efficiency, precision, and production reliability, including conveyor systems integration.

Jigs & Fixtures

Precision-designed jigs and fixtures developed for automotive assembly, welding, and paint shop operations.



Mechanical Steel Structure

Fabrication and installation of heavy industrial structures, supporting systems, and customized engineering structures.



Paint Shop Solutions

Engineering solutions for automotive paint shop infrastructure including fabrication, installation, and process support.



EV Products

Engineering support solutions for electric vehicle manufacturing infrastructure and emerging EV industry requirements.



ENGINEERING AUTOMATION

Smart automation solutions designed to improve production efficiency, precision, and operational performance in modern manufacturing environments.

Conveyor Systems

Design and integration of conveyor systems for smooth and efficient material handling.



SPM Machines

Custom-built special purpose machines designed for precise and efficient manufacturing operations.

Automated Welding Systems

Automation solutions for consistent welding quality and improved production efficiency.



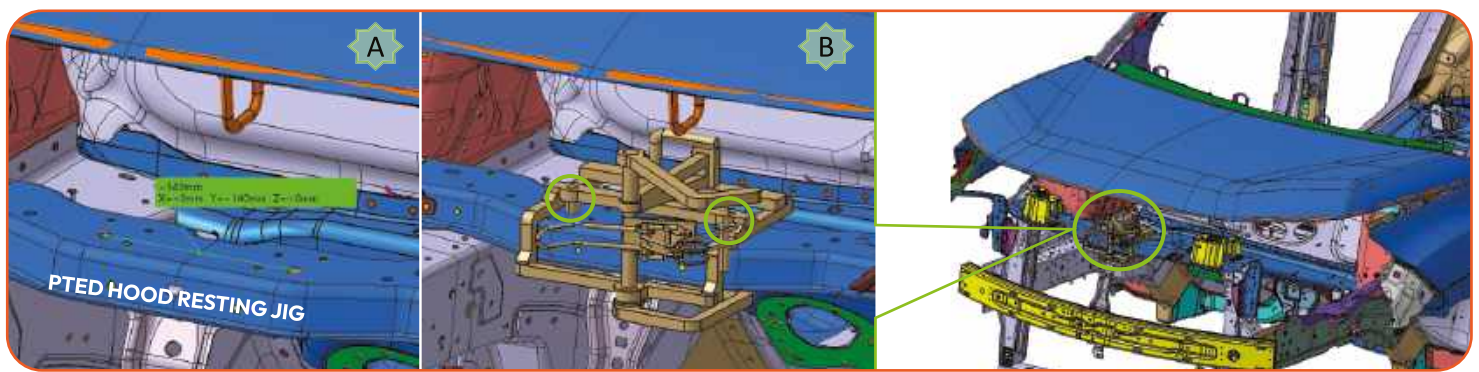
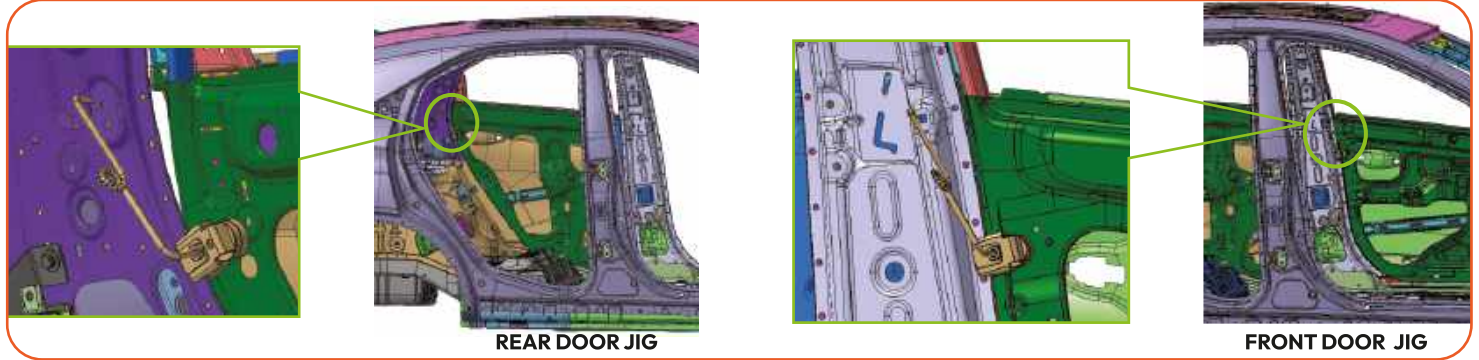
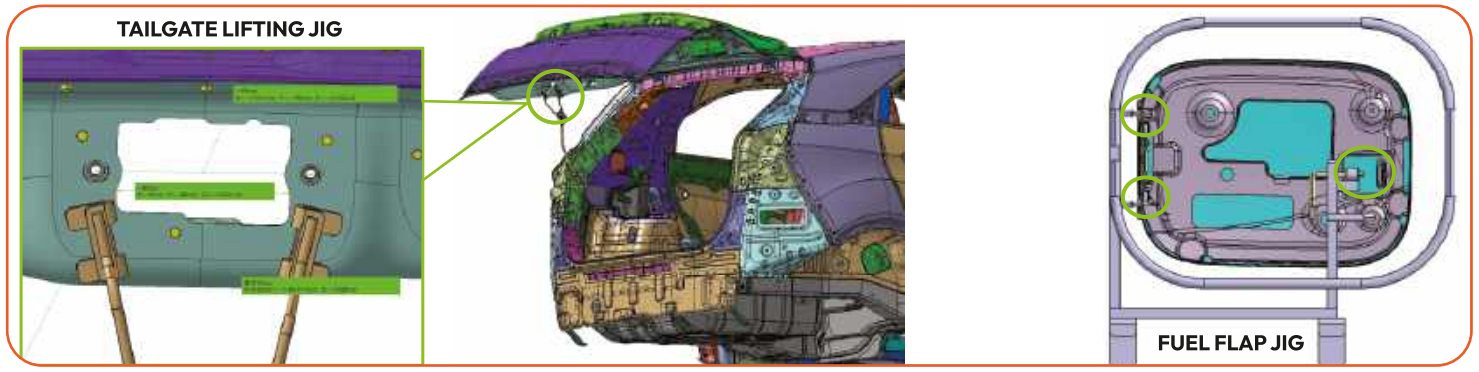
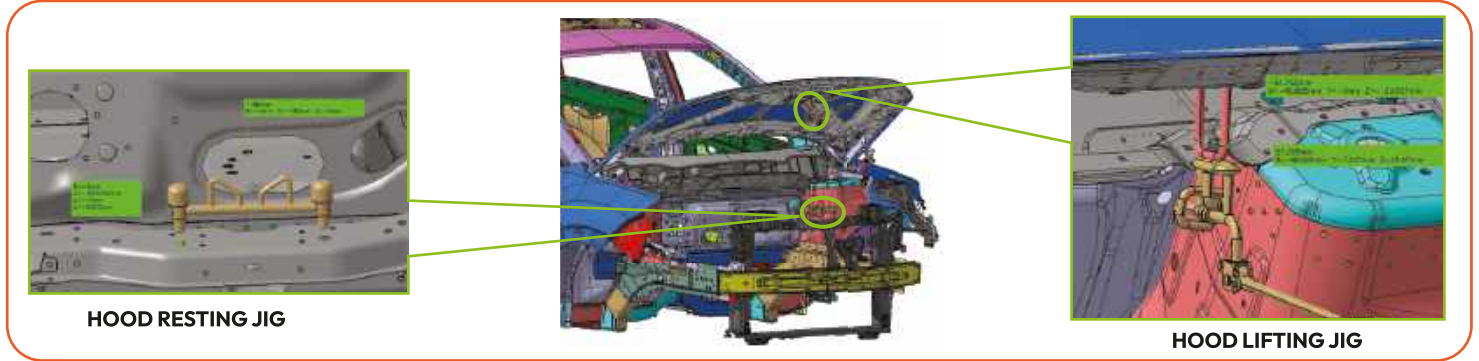
Industrial Automation Integration

Automation systems developed to optimize manufacturing processes and production flow.

JIGS & FIXTURES

Precision-engineered jigs and fixtures designed to ensure accurate positioning, repeatability, and efficiency in automotive manufacturing and assembly processes.

➤ WELDING FIXTURES ➤ ASSEMBLY JIGS ➤ PAINT SHOP FIXTURES ➤ POSITIONING FIXTURES



MECHANICAL STEEL STRUCTURE

Robust structural fabrication solutions designed to support industrial infrastructure, manufacturing facilities, and engineering projects.

INDUSTRIAL STRUCTURES

Fabrication and installation of heavy-duty structural frameworks.



TANK & DUCT SYSTEM FABRICATION AND INSTALLATION

Manufacturing of industrial ducts, tanks, and custom metal components.



CUSTOM STRUCTURAL FABRICATION

Tailor-made structural solutions based on project requirements.



PAINT SHOP SOLUTIONS

Engineering solutions designed to support automotive paint shop infrastructure, equipment, and process efficiency.



PTED process

PTED Process Study & Efficiency Improvement.
PTED Process Design, Fabrication & Installation.



Painting Ovens

Industrial ovens designed, fabricated, and installed for controlled and efficient curing processes.



Paint Booth Systems

Paint Process Study & Efficiency Improvement
Paint Process Design, Fabrication & Installation



Paint Shop Capacity enhancement

MOST Study
Process Study
New Technology Introduction



PAINT SHOP CONSULTANCY

Shine Engineers offers expert **paint shop consultancy services** to optimize automotive painting processes, improve efficiency, and reduce operational costs. Our technical expertise helps manufacturers achieve better **paint quality, productivity, and process control**.

Consultancy Services



Robotics Programming

Optimizing robot movements for improved transfer efficiency and reduced material wastage.



Booth Air Balancing

Ensuring proper airflow control to maintain paint quality and reduce contamination.



Dust Management Systems

Designing systems to minimize dust and maintain clean paint environments.



Painting Parameter Standardization

Improving consistency and quality across painting operations.



Defect Source Analysis

Identifying paint defects and implementing corrective measures.



Efficiency & Productivity Improvement

Optimizing processes to achieve maximum cost effectiveness.



EV PRODUCTS & SERVICES (Upcoming services from Shine Engineers)

Engineering solutions supporting the growing Electric Vehicle (EV) manufacturing ecosystem, including infrastructure, assembly support systems, and specialized engineering components.



EV Assembly Support

Engineering structures and support systems used in EV production lines.



Battery Handling Systems

Solutions designed for safe handling and movement of EV battery components.



EV Manufacturing Infrastructure

Structural and engineering solutions for EV manufacturing facilities.



Custom Engineering Solutions

Tailor-made systems designed for evolving EV industry requirements.

**ENGINEERING SOLUTIONS FOR THE FUTURE
OF ELECTRIC MOBILITY**

MACHINES & EQUIPMENT

Shine Engineers is equipped with advanced machinery and precision tools that support high-quality fabrication, machining, and manufacturing operations. Our equipment enables us to maintain accuracy, efficiency, and consistent production standards.

- Hydraulic Shearing Machine
- Hydraulic Bending Machine
- Hydraulic Press Machine
- MIG Welding Machine
- Resistance Spot Welding Machine
- Laser Cutting Machine
- Aluminum MAG Machine
- SS TIG Welding Machine
- Semi Auto Milling Machine
- Semi Auto Lathe Machine
- Surface Grinder Machine
- Granite Surface Plate



POWERED BY ADVANCED MACHINERY

Delivering precision engineering and reliable fabrication through modern equipment and skilled expertise.

INFRASTRUCTURE & FACILITIES

Shine Engineers operates through well-equipped facilities designed to support engineering, fabrication, and industrial manufacturing requirements. Our workshops are equipped with modern machinery and skilled professionals to ensure efficient production, quality workmanship, and timely project execution.

Our Operational Units



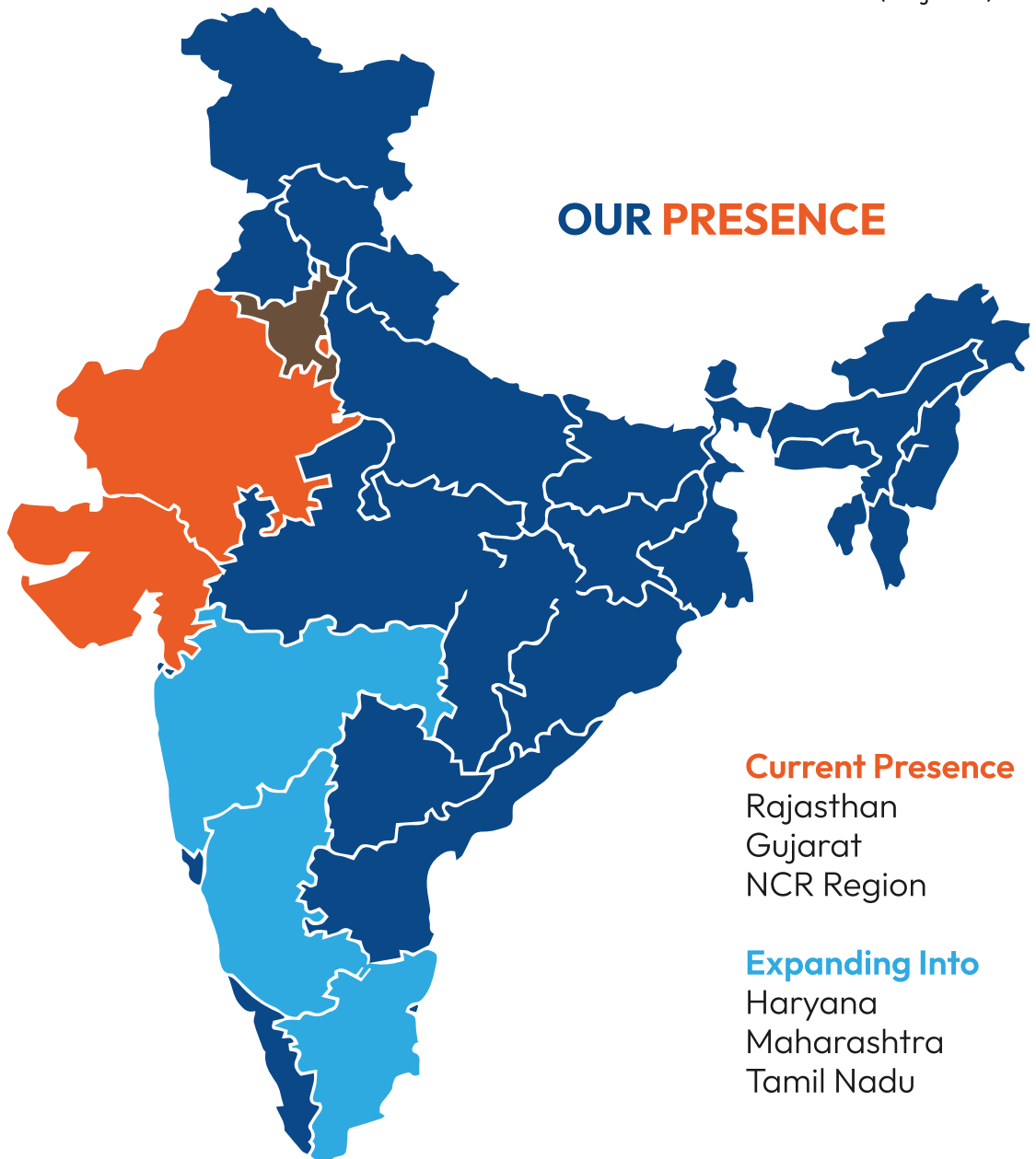
F121, RIICO Karoli Industrial area near SEW Euro drive Tapukera Alwar (Rajasthan)-301707



Aditya Complex, Viramgram and surendernagar Road, Bechraji (Gujarat)- 384210



739+740/20 GIDC Maswad Industrial area near JCB plant Halol Vadodra (Gujarat)-389350



TRUSTED BY LEADING INDUSTRIES

Shine Engineers is proud to work with leading automotive and industrial organizations, delivering reliable engineering solutions and long-term service support. Our commitment to quality, precision, and timely execution has helped us build strong relationships with our clients.



TRUSTED ENGINEERING PARTNER FOR LEADING INDUSTRIES

Delivering Innovative Engineering Solutions With Reliability And Precision.





Let's Build the Future of Engineering Together. For more Info Contact Us:

SHINE ENGINEERS

📍 PLANT-1:

F121, RIICO Karoli Industrial area near SEW Euro drive Tapukera Alwar
(Rajasthan)-301707

📍 PLANT- 2:

31-Aditya Complex, Viramgram and surendernagar Road , Bechraji
(Gujarat)- 384210

📍 PLANT- 3:

739+740/20 GIDC Maswad Industrial area near JCB plant Halol Vadodra
(Gujarat)-389350

📞 +91- 97998 40353

✉ info@shineengineers.in, shine.engineers@yahoo.in

🌐 www.shineengineers.in